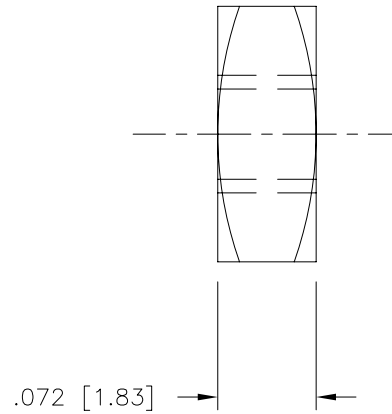
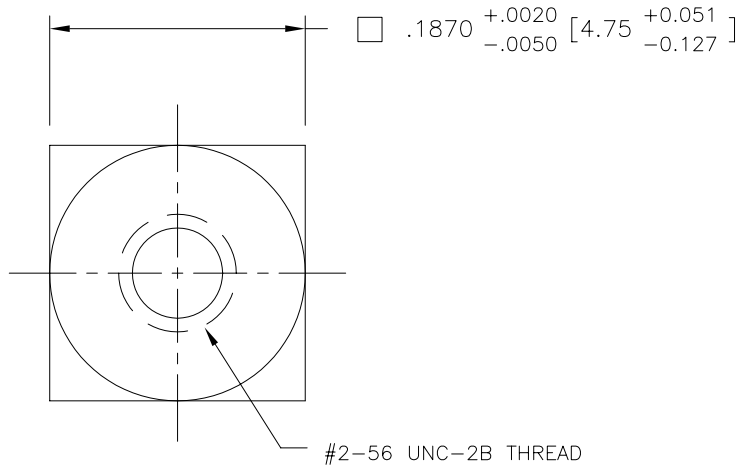


PRODUCT NO.	NOTES
71226-001	-
71226-001LF	NOTE 2



NOTES:

1. MATERIAL: 416 STAINLESS STEEL.
2. THIS PRODUCT MEETS EUROPEAN UNION DIRECTIVES AND OTHER COUNTRY REGULATIONS AS DESCRIBED IN GS-22-008.

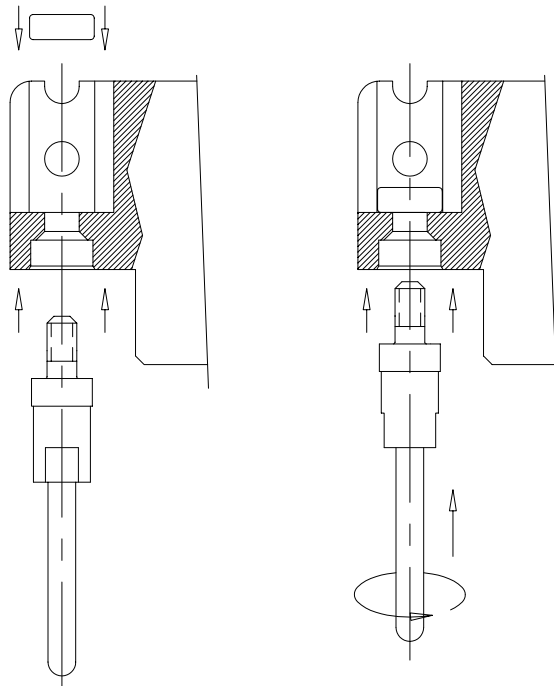
mat'l. code				surface ISO 1302 <input checked="" type="checkbox"/>		tolerance ISO 406 ISO 1101		projection 		product family HPC	
ltr				ecn no		dr		date		tolerances unless otherwise specified	
A				V50947		GAH		8/8/95		.XX±.01/.3	
B				V60758		SAR		6/18/96		linear .xxx±.005/.13	
C				V00558		LSS		3/3/00		0'±2'	
D				V05-0697		DAI		8/18/05		dr	
E				M06-0265		AGS		7/10/06		enr	
										G. HULL 8/8/95	
										D. HORCHLER 7/25/95	
										D. HORCHLER 8/9/95	
										S. CLARK 8/10/95	
sheet index		revision sheet		E E		1 2					



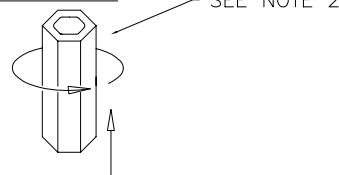
Copyright FCJ

PRODUCT NO.

SEE SHT. 1



UN-ASSEMBLED GUIDE PIN

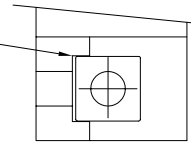


SEE NOTE 2

ASSEMBLY NOTE:

AFTER CONNECTOR IS ON PCB,  
INSERT THE SQUARE NUT, AND  
THEN SCREW IN THE GUIDE PIN

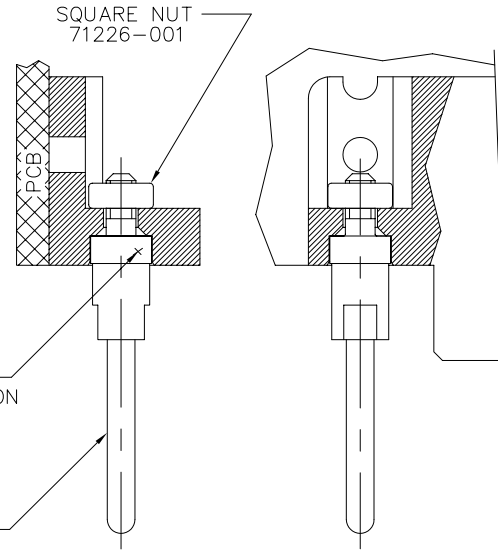
SQUARE  
NUT HELD  
FROM  
ROTATING  
BY SLOT



SQUARE NUT  
71226-001

ROUND  
CONFIGURATION

GUIDE PIN  
71225-001



ASSEMBLED GUIDE PIN

NOTE:

- ① MATERIAL: 416 STAINLESS STEEL.
2. RECOMMENDED INSTALLATION TOOL: P/N 166769-001 (FOR USE IN 1/4" HEX DRIVE).
3. DRAWING 71225 IS A RECEPTACLE MOUNTED MALE GUIDE PIN

mat'l. code		surface ISO 1302 ✓		tolerance ISO 406 ISO 1101		projection ⊕		product family HPC	
ltr	ecn	no	dr	date		tolerances unless otherwise specified		title	
E						angles	.XX±.01/.3	INCH/MM	
						linear	.XXX±.005/.13	NUT, SQUARE #2-56	
						0°±2'	.xxxx±.0020/.051	scale 1:1	
				dr	G. HULL	8/8/95	FCJ		dwg no
				enr	D. HORCHLER	7/25/95	71226		sheet 2 of 2 size
				chr	D. HORCHLER	8/9/95	A3		
				appd	S. CLARK	8/10/95	type		Product Customer Drawing
sheet	revision								
index	sheet								